

CL20 PROACTIVE

REAR DOOR COOLER

PRODUCT OVERVIEW

ColdLogik Rear Door Coolers are highly efficient cooling systems for use on Data Centre / Server Cabinets. Designed to operate on a closed loop water circuit, ensuring optimum thermal and energy performance by removing heat generated by the active equipment directly at source.

This single source solution replaces the traditional approach to Data Centre cooling and permits load removal of over 90kW per cabinet, therefore has the capability to withstand low medium and the higher density demands experienced today.

The ColdLogik solution means that hot/cold aisles are no longer necessary therefore allowing customers to capitalise on the use of actual real estate within the data hall, permitting alternate room layout and enhanced scalability possibilities.

Low to High Density
Over 90kW cooling capacity per cabinet



Performance Examples

Performance examples—these three examples are showing the same RDC but with differing duties attainable when regulating or changing the water temperature. Other performance duties are attainable when calculating bespoke project specific requirements.

Maximum Duty

Our highest duties based on 14°C water inlet – to avoid condensation – and wide ΔT to deliver reasonable DC temperatures. This deployment would require the use of mechanically cooled external plant but has the ability to offer exceptional cooling capacities per cabinet.

CL20 Cooling Capacity		5 Fan	6 Fan
Maximum Duty	kW	62	93
Air flow (50Hz 230v)	m ³ /h (cfm)	6847 (4030)	8217 (4836)
DB Air On	°C (°F)	50 (122)	58 (136)
DB Air Out	°C (°F)	20 (68)	20 (68)
Water In	°C (°F)	14 (57.2)	14 (57.2)
Water Out	°C (°F)	25 (77)	30 (86)
Volume Fluid Flow	m ³ /h (l/s) / USGal/m	5 (1.4) / 22	5 (1.4) / 22
Fluid Velocity	m/s (ft/s)	0.99 (3.25)	0.82 (2.7)

Nominal Duty

This is a more general, workable duty with 18°C water inlet and covers most requirements in Europe while also maintaining an acceptable room temperature of 24°C. Operating with wide water ΔT also allows for lower power draw of the mechanically cooled external plant, reducing CapEx and OpEx costs while delivering leading cooling capacities per cabinet.

CL20 Cooling Capacity		5 Fan	6 Fan
Nominal Duty	kW	55	80
Air flow (50Hz 230v)	m ³ /h (cfm)	6847 (4030)	8217 (4836)
DB Air On	°C (°F)	50 (122)	55 (131)
DB Air Out	°C (°F)	23 (73.4)	22 (71.6)
Water In	°C (°F)	18 (64.4)	18 (64.4)
Water Out	°C (°F)	28 (82.4)	32 (89.6)
Volume Fluid Flow	m ³ /h (l/s) / USGal/m	5 (1.4) / 22	5 (1.4) / 22
Fluid Velocity	m/s (ft/s)	0.99 (3.25)	0.82 (2.7)

Efficient Duty

Taking advantage of the higher allowable room temperatures in a DC of 27°C/80.6°F allows the use of higher water temperatures, therefore reducing the infrastructure required for mechanical cooling, and allows for most or all-day free cooling. This will provide customers with higher efficiency cooling and lower running costs thus beginning to obtain a return on their investment while maximising real estate.

CL20 Cooling Capacity		5 Fan	6 Fan
Efficient Duty	kW	50	74
Air flow (50Hz 230v)	m ³ /h (cfm)	6847 (4030)	8217 (4836)
DB Air On	°C (°F)	50 (122)	55 (131)
DB Air Out	°C (°F)	26 (79)	25 (77)
Water In	°C (°F)	21 (69.8)	21 (69.8)
Water Out	°C (°F)	30 (86)	34 (93.4)
Volume Fluid Flow	m ³ /h (l/s) / USGal/m	5 (1.4) / 22	5 (1.4) / 22
Fluid Velocity	m/s (ft/s)	0.99 (3.25)	0.82 (2.7)

Cooling capacity data is shown for illustration purposes.

Legend

DB - Dry Bulb

ΔT - Delta T / difference supply and return temperatures

Air On - Air onto coil / air off active equipment

Air Off - Air off coil / air out from ColdLogik cooler

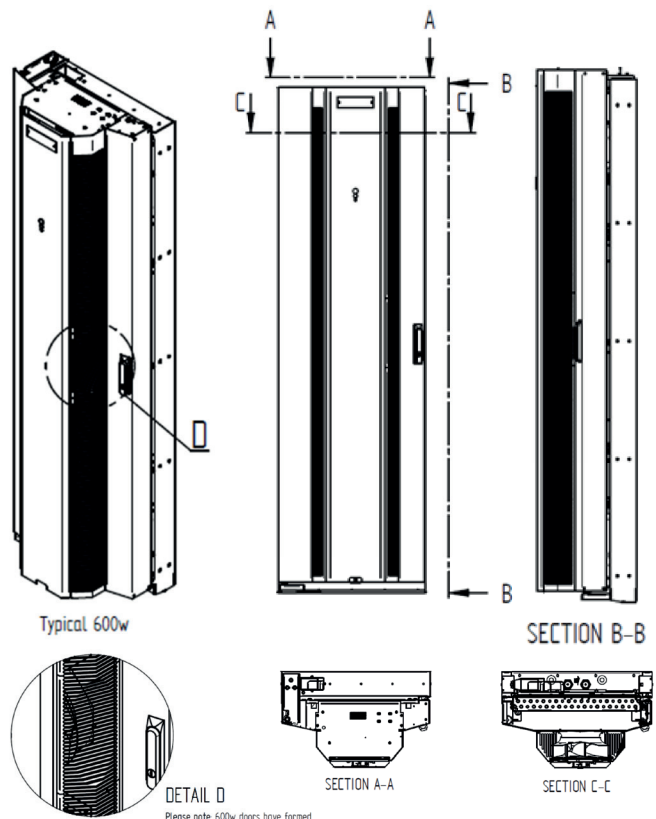
Technical Information

CL20 ProActive (including interface frame)											
Physical		42U 5 Fan			48U* 5 Fan			48U* 6 Fan		52U 6 Fan	
		600w	750w	800w	600w	750w	800w	750w	800w	750w	800w
Height	mm (")	2040 (80.3)			2307 (90.8)			2307 (90.8)		2485 (97.8)	
Width	mm (")	596 (23.5)	746 (29.4)	796 (31.3)	596 (23.5)	746 (29.4)	796 (31.3)	746 (29.4)	796 (31.3)	746 (29.4)	796 (31.3)
Depth	mm (")	380 (15)									
Fits Rack	U x mm (")	42 x 600 (23.6)	42 x 750 (29.4)	42 x 800 (31.5)	48* x 600 (23.6)	48* x 750 (29.5)	48* x 800 (31.5)	48* x 750 (29.5)	48* x 800 (31.5)	52 x 750 (29.5)	52 x 800 (31.5)
Dry Weight	kg (lb)	86 (189.6)	105.5 (232.6)	112 (247)	94 (207.3)	120 (264.6)	126.5 (278.9)	131.4 (289.7)	137.9 (304.1)	136.9 (301.9)	143.4 (316.2)
Dry Weight (inc. frame)	kg (lb)	112.7 (248.5)	133.7 (294.8)	140.7 (310.2)	123.3 (271.9)	150.8 (332.5)	157.8 (347.9)	162.2 (357.7)	169.2 (373.1)	169.4 (373.5)	176.4 (389)
Wet Weight (inc. frame)	kg (lb)	123.7 (272.8)	144.7 (319.1)	151.7 (334.5)	134.3 (296.1)	161.8 (356.8)	169.8 (374.4)	177.6 (391.6)	184.6 (407)	184.8 (407.5)	191.8 (422.9)
Paint Colour		RAL 7035 (Light Grey) / RAL 9005 (Black)									
Communication Protocol		Modbus over TCP/IP (BACnet, SNMP optional)									
Hinge Side		Left-Hand Side - standard Right-Hand Side - available on request									
Connections	mm (")	25 (1)									
Water Volume Capacity	L (USG)	11 (2.9)					15.4 (4)				
Max. RDC Current Draw	A	9.5									

*48U RDC, and 48U frame fit 47/48U rack



Fans				
Type		Backward Curved Centrifugal		
Number of Fans		5	6	
Air flow	m ³ /h (CFM)	30%	2135 (1257)	2553 (1502)
		70%	5262 (3097)	6293 (3703)
		100%	6871 (4044)	8217 (4836)
Current 50Hz 230v / 60Hz 208v	A	30%	0.65 / 0.72	0.79 / 0.87
		70%	3.71 / 4.09	4.46 / 4.92
		100%	7.54 / 8.33	9.04 / 9.98
Power Input 50Hz 230v	W	30%	51	61
		70%	398	478
		100%	845	1014
Total Fan Noise	dB	30%	69	67
		70%	85	83
		100%	90	89



Ver: EDPCL20RDC0723.1