

# 83-SA2-004 Installation Guide

## SwitchAir Active Network Switch Cooling

Effective cool air delivery for rear rack mounted switches with front (port) air intake.

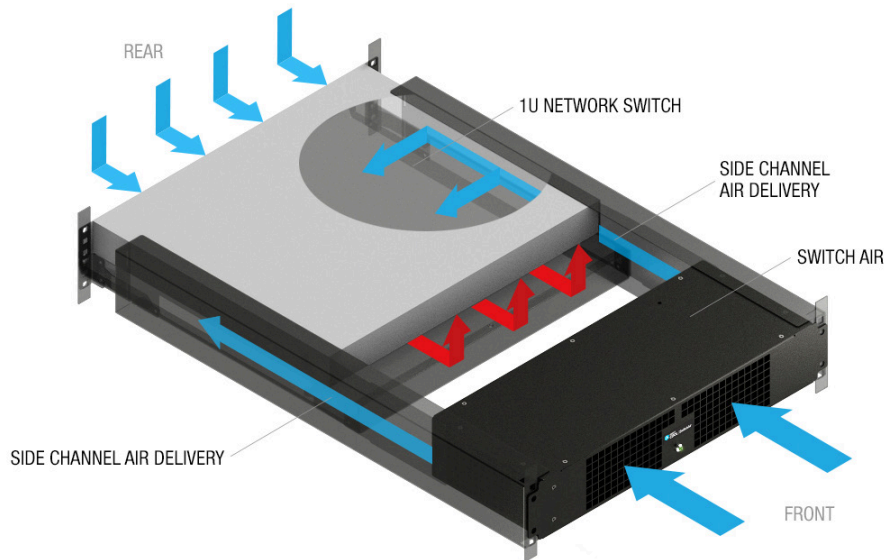


### Installation Precaution:

- Install SwitchAir such that the required airflow for safe operation of equipment is not compromised.
- Take precaution to avoid interference with the switch input power cords when installing on a live unit.

### SwitchAir Installed in Rack

Installs in minutes while network switch is live.

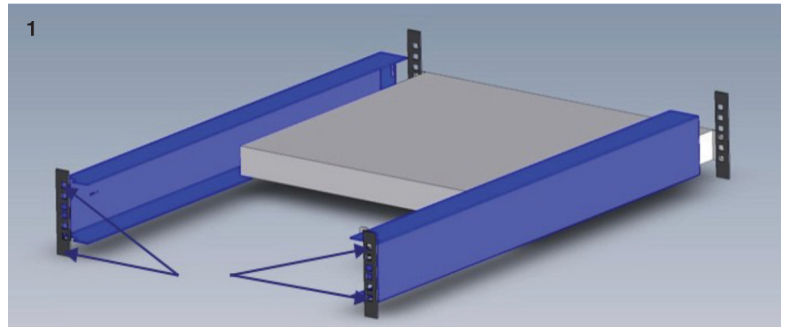


### 83-SA2-004 Specifications

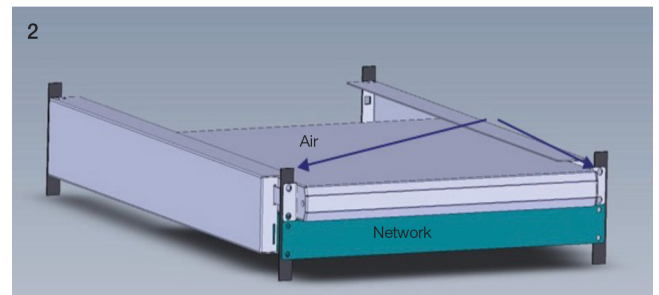
Rail Depth Range	26.625" to 29.625" (676mm to 752mm)	Input Connector	C14
Chassis Depth	9" (229mm)	Airflow	94 CFM
Channel Depth	26" (660mm)	Switch Intake / Exhaust	Front/Rear
Input Power / Indicator	90-264 VAC 50/60Hz 15 watts LED Power Indicator	Safety / Approvals	UL, cUL 60950, CE, FCC Class A

## Installing the SwitchAir

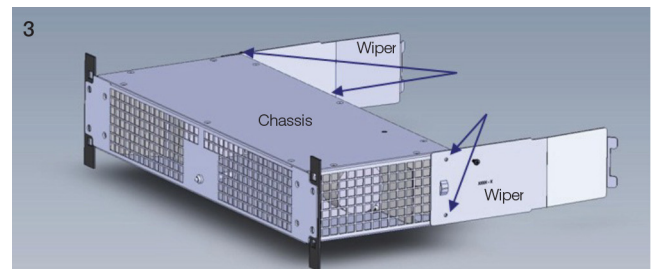
1. The channels attach to the inside of the rack using cage nuts and screws. The front side channels use the top and bottom holes for their attachment. The rear channels are supported by the stabilising tabs that attached to the air trunk. When the air trunk is inserted into place the stabilising tabs slide into the channels.



2. Insert Air Trunk between channels on top of network switch. The stabilising tabs slide into the opening on each channel. Secure the air trunk to the rack using cage nuts and screws.



3. Attach Wipers to chassis using provided pan head screws.



4. Slide Chassis into channels and attach to rack using customer provided cage nuts and screws.

