

## KoldLok® SplitLok™ Covers



KoldLok® 1010 / 4040 Cover\*  
46-10187



KoldLok® 5050 Cover\*  
46-10191

### Application

Designed to seal KoldLok 1010/4040 or 5050 grommet openings while cables are waiting to be installed.

### Safety Features

Bright yellow and black stripe promotes safety and brings attention to all data centre personal to proceed with caution

### Features & Benefits

- Tool-less design and centre cut out hole allows for easy installation and removal.
- Double sided for a reversible application; one side features a caution stripe to increase visibility and encourage safety while the other side features a black surface for less visibility.
- Durable powder-coated finish allows the cover to be re-used for future applications.
- Easy to install and remove.
- Double sided design.
- Reusable.
- Promotes safety and decreases accidents from occurring.

\* Grommets not included

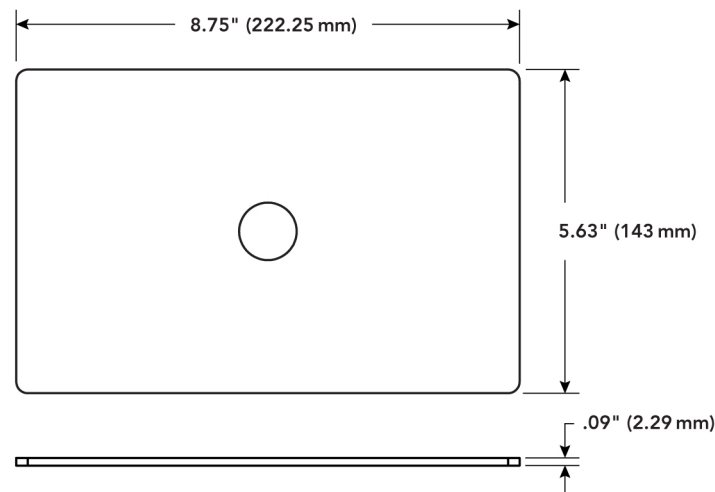
## Specifications

Part No.	Description	Dimensions
46-10187	1010/4040 Cover with Safety Stripe	222.25mm x 143mm x 2.29mm (8.75" x 5.63" x .09")
46-10191	5050 Cover with Safety Stripe	127.25mm x 114.55mm x 2.29mm (5.01" x 4.53" x .09")

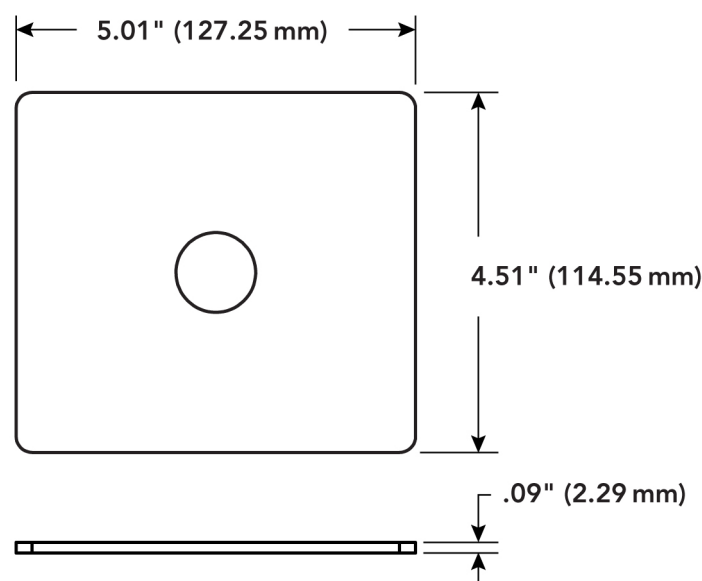
## Floor Mounting System

Lays on top of the inner frame lip of a 1010/4040 or 5050 grommet without the use of any tools

## Dimensions



46-10187



46-10191